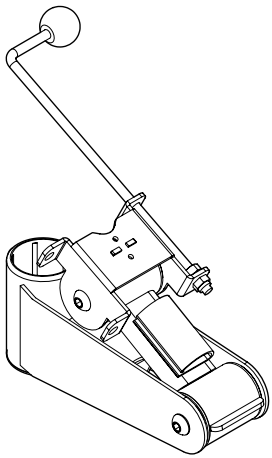
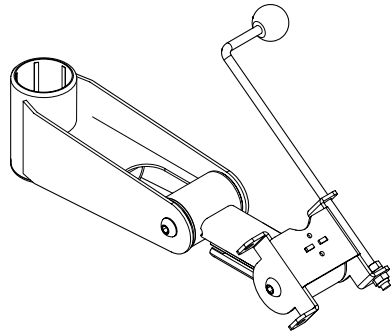


## Accessibility Arm's 2-Positions

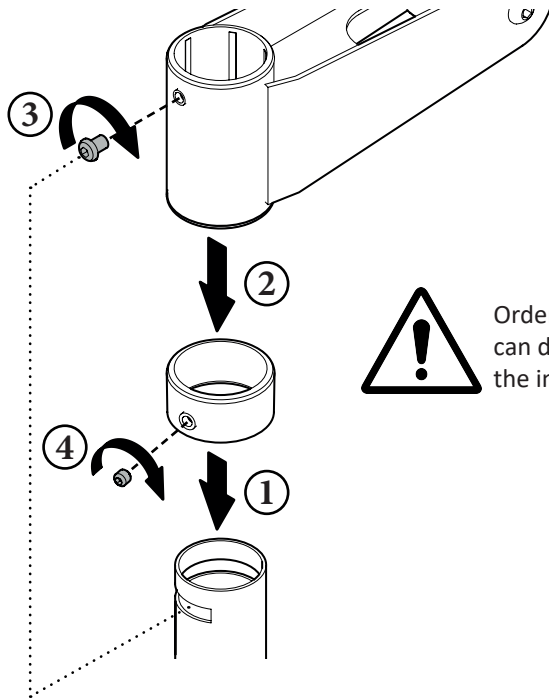


*Collapsed*



*Extended*

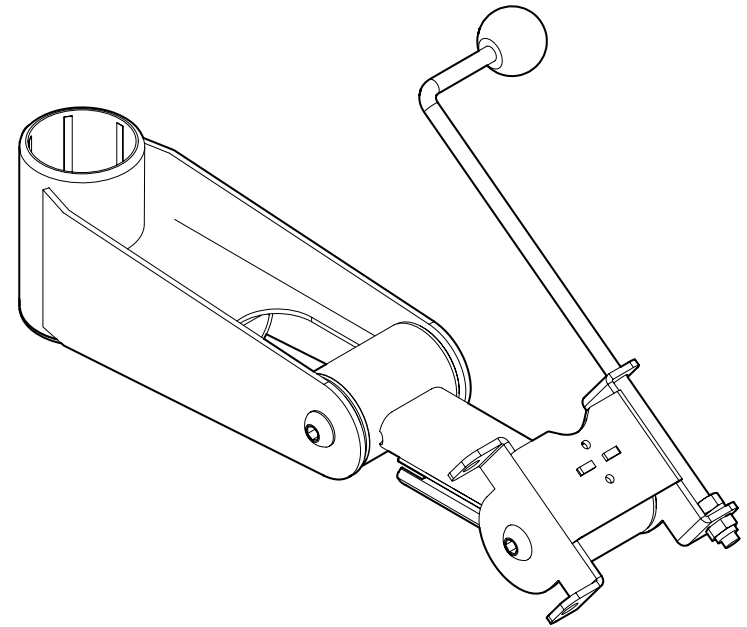
## Pole mounting



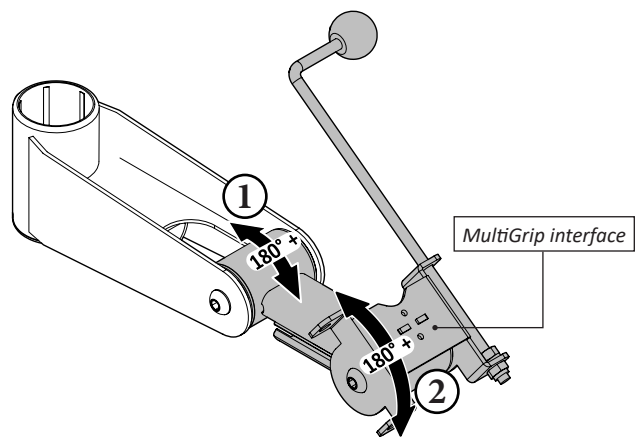
Order of assembly  
can differ, as it suits  
the installer.

# SpacePole Mounting

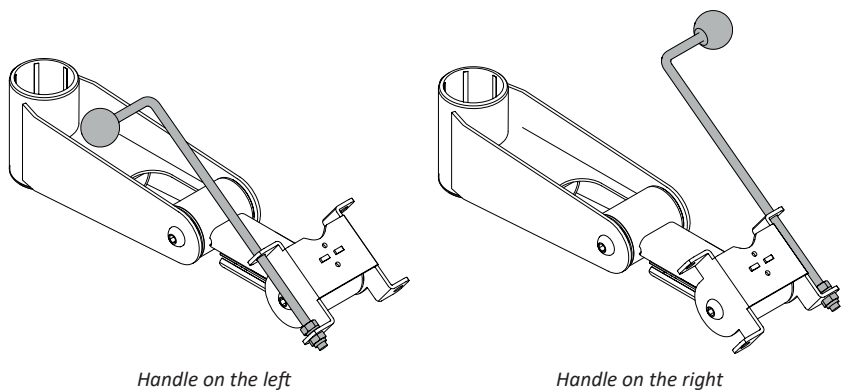
## SpacePole Accessibility Arm



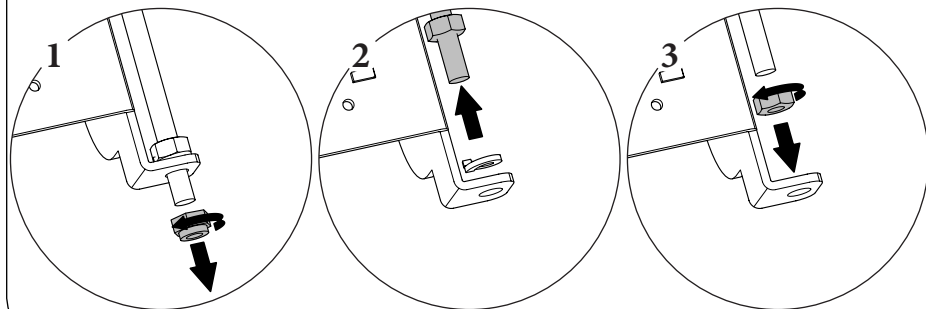
### Accessibility Arm, movement range



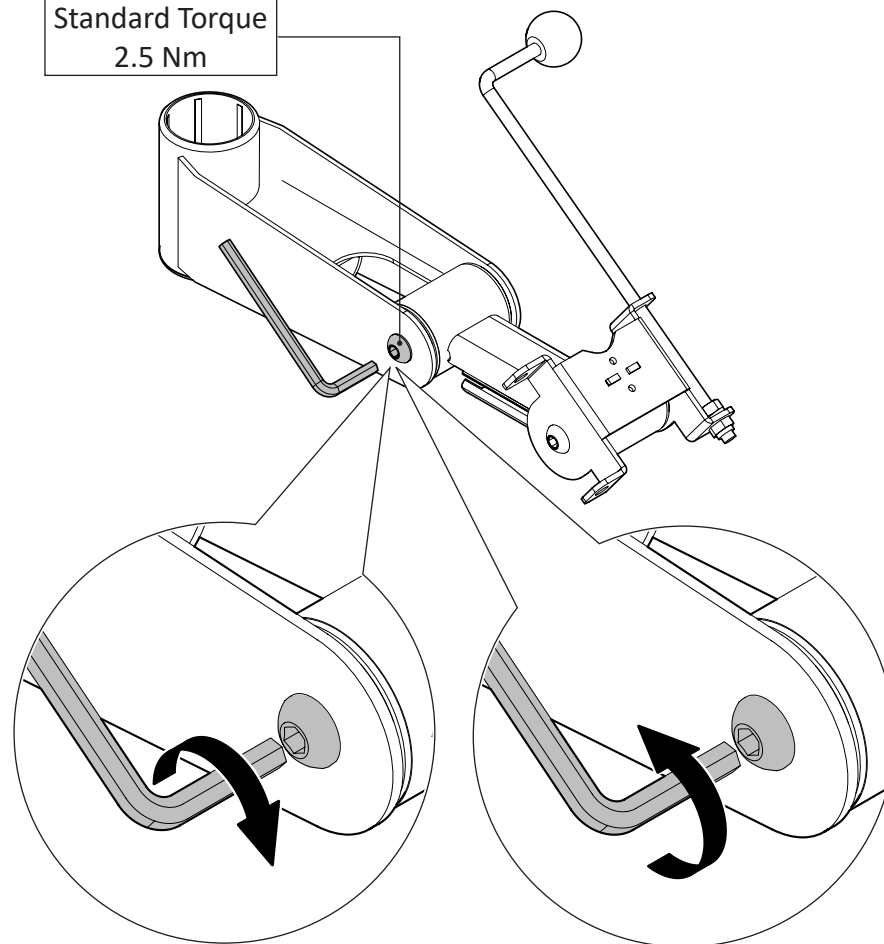
### Changing place of the handle



### Steps for removing the handle



Standard Torque  
2.5 Nm



Ergonomic Solutions / SpacePole Inc. takes no responsibility for wrongly adjusted torque settings